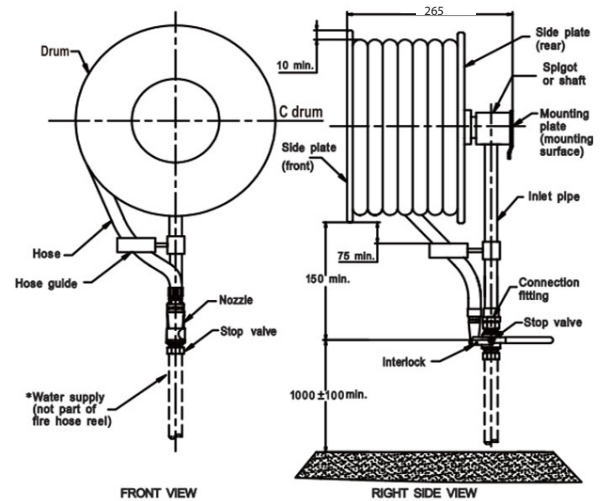


FIRE HOSE REEL

- **Stainless Steel Waterway Inlet Pipe**
- **Stainless Steel Full Center Drum Spindle**
- **Stainless Steel Bolts**
- **Stainless Steel Plates**
- **Heavy Duty Connection Block**
- **Test By 2,000 kPa Hydraulic Pressure**
- **Easy Installation**



Wolf Hose Reel Technical Data Sheet	
Item No.	HR36SS
Certificate No.	544723
Activfire Certificate No.	AFP-2355
Design Manufacture Standard	AS1221
Side Plate	Material: 1.0mm Stainless Steel Diameter: 460mm
Hose Support	Material: 1.0mm Stainless Steel Diameter: 180mm x 200mm
Mark Plate	Material: 1.0mm Stainless Steel Diameter: 216mm
Inlet Pipe	1" Stainless Steel
Waterway	Stainless Steel
PVC Hose with AS/NZ 1221 Certificate	3/4" x 36m Color: Black
Hose Reel Shut-off Valve with Watermark certificate	Spec. No. 12 LIC WMK50016
Brass Nozzle	Jet
Workin Pressure/Test Pressure	12 Bar / 20 Bar
Package Size	510 x 280 x 510



A warranty of twelve (12) months from the date purchase applies to all Wolf fire hose reels when installed to Australian standards AS 2441:2005 and serviced and maintained in accordance to AS 1851:2005

Wolf fire hose reels have been designed and manufactured according to AS/NZ 1221:1997. All Wolf fire hose reels carry the BSI Benchmark and Activefire certification. Ball valve has been certified with WaterMark No. W50016.

